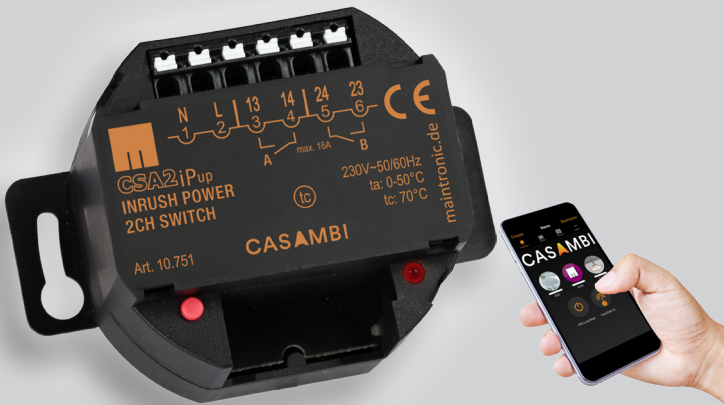


Casambi Switch Actuator 2-fold 16A/165A

CSA2ip UP Item.No.: 10.751



- 2x normally open contacts
16 A 230V AC
- Inrush current upto 165A/20ms
- Energy saving bistable relays
- Wireless controlled by Casambi
- Rich timer features

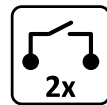
Two channel switch actuator with normally open contact for integration of any load into the Casambi wireless network. For loads with a high inrush currents under capacitive load shares (165A /20ms).



High inrush current

Current peaks up to 165A.

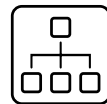
Automate your environment with Casambi ready sensors. With your tablet or smartphone controlling and configuration such as control time functions is very convenient and easy.



Potential free contacts

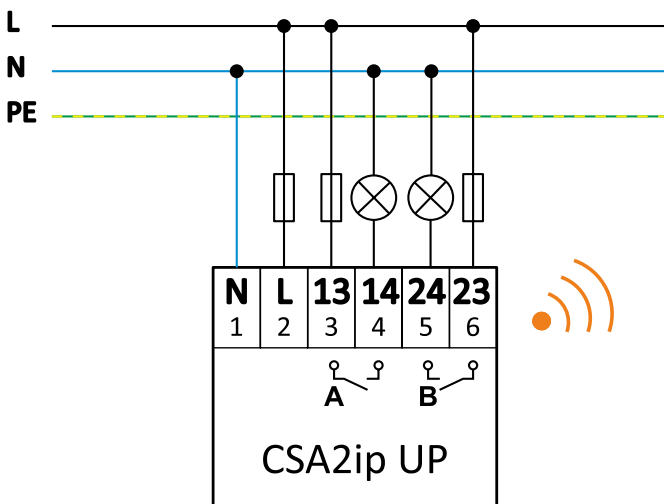
2 normally open inputs.

Extended comfort functions such as long key, toggle, scenes and group functions.



Group devices

Create groups for joint control.



Timer features

Run blinds with specific time.



Casambi enabled wireless switches

Wireless Switch for fixed installations.

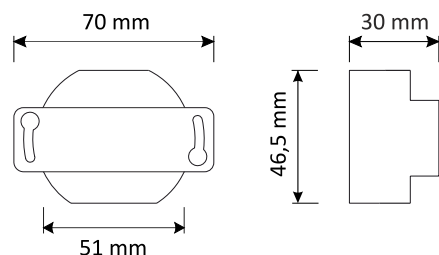
Casambi Switch Actuator 2-fold 16A/165A

CSA2ip UP Item.No.: 10.751



Specifications

supply		130-240V AC 50/60Hz
Switching type		2 x 16 A/ 230 V AC
Fuse		External fuse max 16A required
Power consumption	Standby	0,22W
	Switch operation	0,70W
Terminals and wiring	Phoenix push-in spring connection	0,5 - 1,5 mm ² fine / single-wire
		0,5 - 0,75 mm ² fine-wire with ferrule
Controls and indicators		DeviceButton, Status-LED
Environment	Type of protection	IP20
	Protection class	Class II
	Temperature ambient ta	-0°...+50° Celsius
	Temperature critical tc	70° Celsius
	Humidity	5 - 80% non-condensing
Protocol	Casambi	App available for Android and Apple
Design	Construction	Flush mouted housing
	Mounting	Installation in junction boxes
	Dimensions (Height x width x depth) mm	46,5 x 70(51) x 30
	Weight	0,15 kg
	Ceiling installation	Ø 55mm
Customs	HS-Code/ TARIC-Number	85365080



Dimensions



Easy comissioning and control by Casambi App